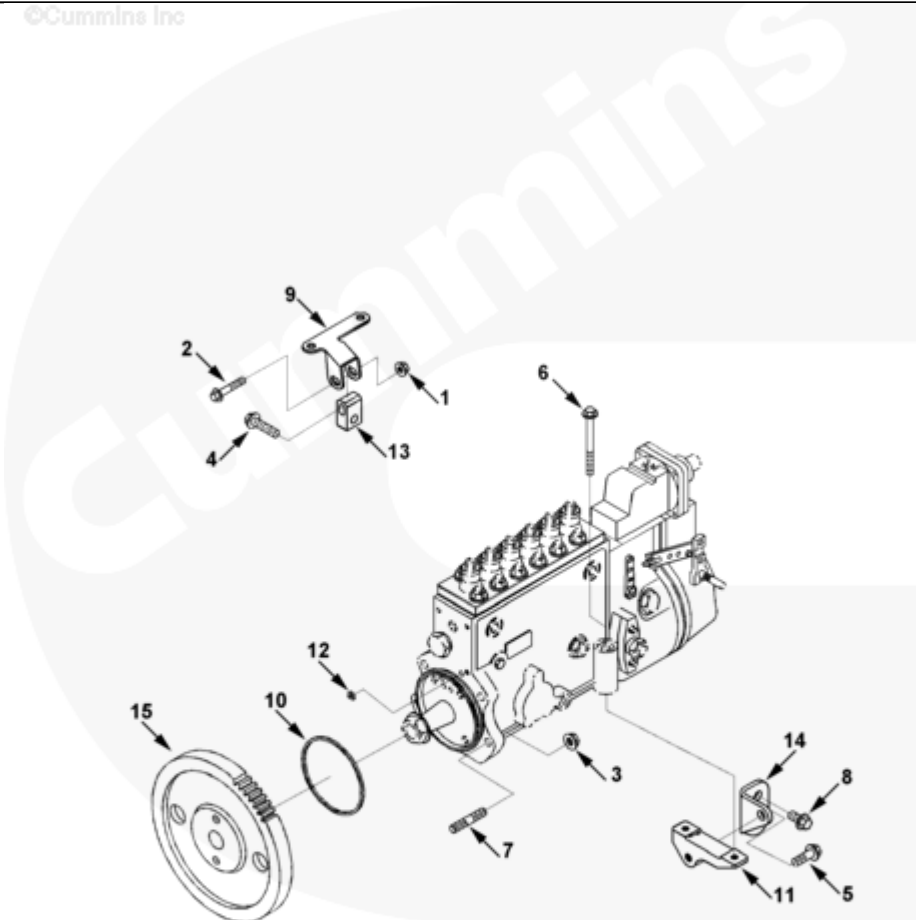




Parts Catalog - Option Detail

Electronic Parts Catalog - Option Detail				
Option	Group	Graphic	Film Card	Date
FP9600-09	09.01	fp965gd	Z	13-NOV-04
Engines	6C8.3, C GAS PLUS CM556, G8.3, G8.3 CM558, GTA8.3 CM558, ISC CM2150, ISC CM554, ISC CM850, ISC8.3 CM2250, ISC8.3 G CM2180 C101, ISL CM2150, ISL CM554, ISL CM850, ISL G CM2180, ISL8.9 CM2150 L110, ISL8.9 CM2880 L112, ISL9 CM2150 SN, ISL9 CM2250, ISL9 CM2350 L101, ISL9 CM2350 L111, ISLE4 CM850, L GAS PLUS CM556, L8.9, L8.9 L121, L8.9G CMOH2.0 L125B, L9 CM2350 L116B, L9 CM2350 L119B, L9 CM2350 L120C, L9 CM2350 L123B, L9.3 L105, L9.5 L117, L9N CM2380 L124B, QSC8.3 CM2250, QSC8.3 CM2880 C102, QSC8.3 CM554, QSC8.3 CM850(CM2850), QSL9 CM2250, QSL9 CM2250 L115, QSL9 CM2350 L102, QSL9 CM2350 L107, QSL9 CM2350 L118, QSL9 CM2350 L122, QSL9 CM554, QSL9 CM850(CM2850), QSL9 G CM558, QSL9 M CM2250 L106, QSL9.3 CM2880 L113			



fp965gd

Cart	Ref No	Part Number	Part Description	Required	Remarks
<input type="button" value="View My Cart"/>					
		FP9600-09	Fuel Pump Coupling		MR - COUPLING, FUEL PUMP...(More)
					Engine Family: C Series
					Engine Design Phase: Current
					Product
					Advertised Speed Restriction
					(
					Fuel Pump Mfg/Model:
					Bosch P300FP0960000;
					Bosch P7100
					Aspiration: Charge Air
					Cooled
					NOx Level: 6.0
					DEP may substitute 3282372 in
					place of 3915036
					Brazil may substitute 3920432
					support for 3926273
					Brazil may substitute 3907978
					in place of 3915036
<input type="checkbox"/>	1	3900589	Hexagon Flange Nut	1	M8 X 1.25
<input type="checkbox"/>	2	3901445	Hexagon Flange Head Cap Screw	1	M8 x 1.25 x 45
<input type="checkbox"/>	3	3902662	Hexagon Flange Nut	4	M10 x 1.50
<input type="checkbox"/>	4	3920622	Hexagon Flange Head Cap Screw	1	M10 x 1.00 x 30
<input type="checkbox"/>	5	3903990	Hexagon Flange Head Cap Screw	2	M10 X 1.50 X 20.
<input type="checkbox"/>	6	3913366	Hexagon Flange Head Cap Screw	2	M8 X 1.25 X 90.
<input type="checkbox"/>	7	3915036	Stud	4	
<input type="checkbox"/>	8	3903464	Hexagon Flange Head Cap Screw	1	M10 X 1.50 X 40.
<input type="checkbox"/>	9	3921357	Fuel Pump Brace	1	

<input type="checkbox"/>	10	3969698	O-Ring Seal	1	
<input type="checkbox"/>	11	3926273	Fuel Pump Support	1	
<input type="checkbox"/>	12	3926722	Rectangular Ring Seal	1	
<input type="checkbox"/>	13	3926781	Fuel Pump Support	1	
<input type="checkbox"/>	14	3930841	Fuel Pump Support	1	
<input type="checkbox"/>	15	3931380	Fuel Pump Gear	1	

© 2019 Cummins Inc., Box 3005, Columbus, IN 47202-3005 U.S.A.
Terms of Use and Disclaimers | Recommended System Requirements
Need Assistance? Please click on the Contact Us button in the top right corner of any page.